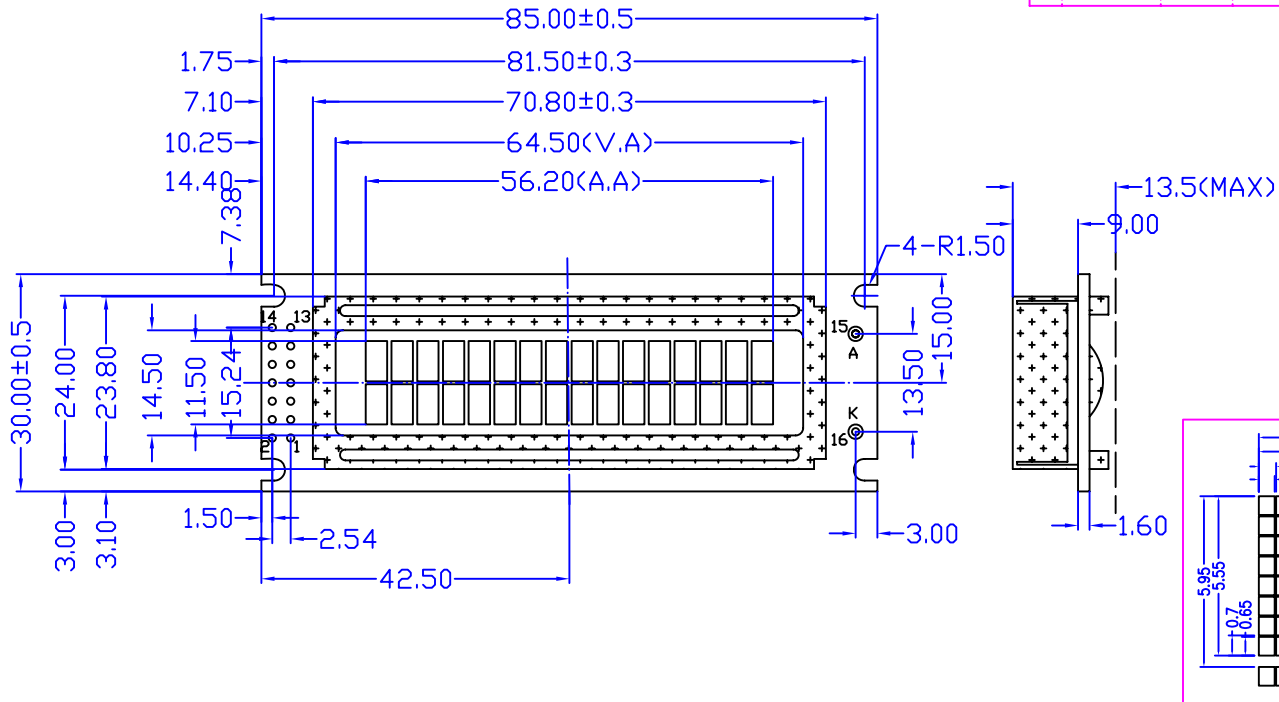
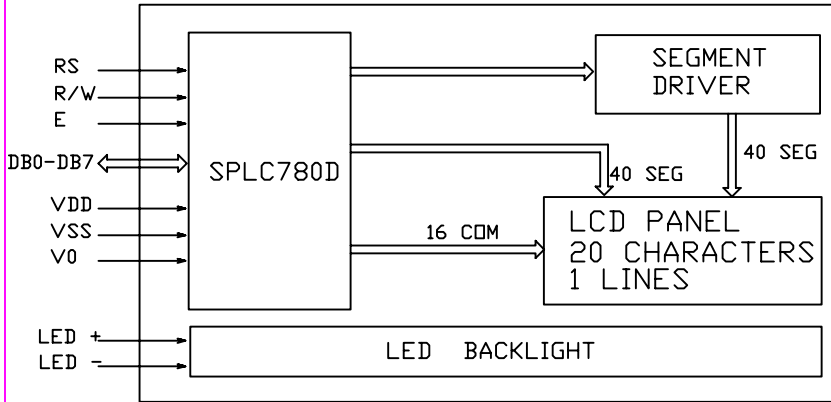


Outline Dimension

REVISIONS		
NO.	DATE	BY DESCRIPTION
1.	08/07/01	ZOLEN NEW RELEASE



Block Diagram



Feature

- BUILT IN CONTROLLER: SPLC780D
- POWER SUPPLY: 5.0V AND 3.0V AVAILABLE
- LCD TYPE: BLUE STN,NEGATIVE
- BACKLIGHT: SIDE LED BACKLIGHT
- COLOUR OF BACKLIGHT: WHITE
- 5X8 DOTS WITH CURSOR
- VIEWING ANGLE: 6 O'CLOCK
- TEMPERATURE RANGE: EXTENDED(-20--70)
- LOW CONSUMPTION,LOW VOLTAGE,HIGH CONTRAST

Mechanical Data

ITEM	SPECIFICATION	UNIT
OVERALL SIZE	85.0W x 30.0H x 13.5T	MM
VIEWING AREA	64.5W x 14.5H	MM
CHARACTERS	16 CHARACTERS X 2 LINES	
CHARACTER SIZE	2.95W x 5.55H	MM
CHARACTER PITCH	3.55W x 5.95H	MM

Pin Assignment

NO.	SYMBOL	DESCRIPTION
1	VSS	GROUND
2	VDD	POWER SUPPLY FOR LOGIC AND LCD
3	V0	OPERATING VOLTAGE FOR LCD
4	RS	DATA/INSTRUCTION SELECT
5	R/W	READ/WRITE CONTROL
6	E	ENABLE SIGNAL
7--14	DB0--DB7	DATA BUS
15	A	LED BACKLIGHT POWER SUPPLY(+)
16	K	LED BACKLIGHT POWER SUPPLY(-)

Absolute Maximum Rating

ITEM	SYMBOL	MIN	MAX	UNIT
POWER SUPPLY(LOGIC)	VDD-VSS	0	6.5	V
POWER SUPPLY(LCD DRV.)	VDD-V0	0	30.0	V
INPUT VOLTAGE	VI	VI	VDD	V

Electrical Characteristics

ITEM	SYMBOL	MIN	TYP	MAX	UNIT
VOLTAGE FOR LOGIC	VDD-VSS	4.75	5.0	5.25	V
SUPPLY CURRENT	IDD	-	1.0	2.2	mA
LCD OPERATING VOLTAGE	0C	-	5.0	-	V
	25C	-	4.7	-	V
	40C	-	4.4	-	V
INPUT VOLTAGE	H	VIH	2.2	-	VDD
	L	VIL	-0.3	0.6	V

ALL DIMENSIONS ARE IN MM. TOLERANCE IS +/-0.2 UNLESS OTHERWISE NOTED.

JXD1602B

16 CHARACTERS X 2 LINES

EXPERT IN LCD

